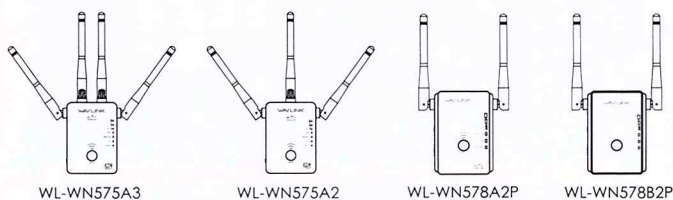
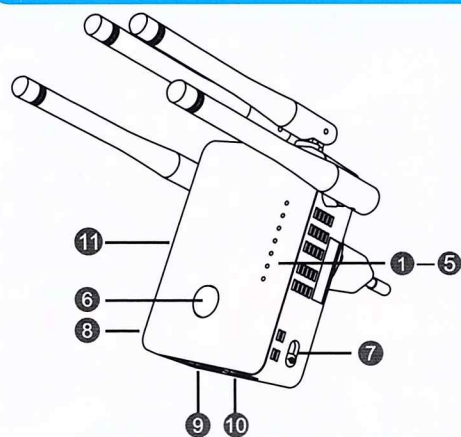




# Wi-Fi Range Extender Quick Guide



## Hardware Overview



- 1 Signal Strength Indicator LEDs
- 2 WPS LED
- 3 WAN/LAN LED
- 4 LAN LED
- 5 Power LED
- 6 WPS Button
- 7 Mode Selector
- 8 POWER On/Off
- 9 LAN Port
- 10 WAN/LAN Port
- 11 Reset Button

**Default Parameters**  
 Login: <http://wifi.wavlink.com>  
 Default IP: 192.168.10.1  
 Login Password: admin

2.4G SSID: WAVLINK-N  
 5G/AC SSID: WAVLINK-AC

## LED Indicators

<b>POWER</b>	<b>ON:</b> The Extender is powered on. <b>OFF:</b> The Extender is not receiving electrical power.
<b>WAN/LAN</b>	<b>ON:</b> The Ethernet port is connected. <b>OFF:</b> The Ethernet port is disconnected. <b>Flashing:</b> Transferring data to/from connected devices.
<b>WPS</b>	<b>Slow Flashing:</b> The Extender is trying to connect to your phone or PC. <b>Fast Flashing:</b> The Extender is connecting to your AP or router.

## Wi-Fi Signal Strength

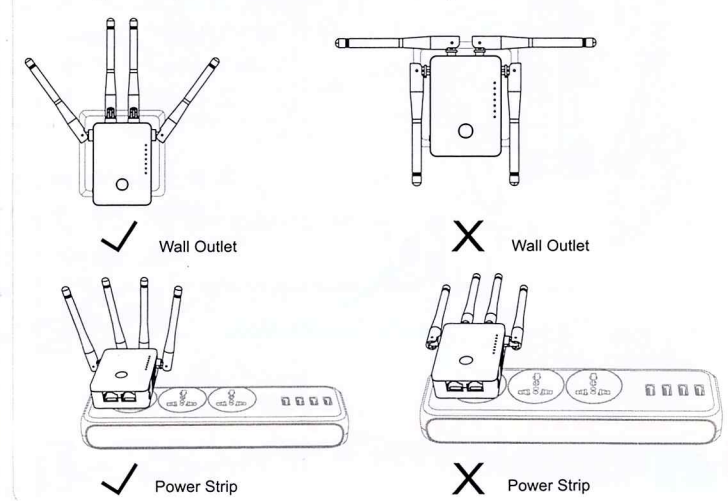
Mode	Indicator LEDs			Description
	Signal Strength	Power	WPS	
AP/Router	ON	ON	ON	Full Reception: 100%
	ON	ON	ON	Full Reception: 100%
Repeater	ON	ON	OFF	Good Reception: 50% to 75%
	ON	OFF	OFF	Weak Reception: below 50%
	Flashing	OFF	OFF	Disconnected

**WPS Button:** Press and hold for 2 seconds, the Extender is trying to connect to your phone or PC. Press and hold for 6 seconds to connect to your Wi-Fi AP/router (for Repeater Mode).  
**Reset Button:** Press and hold for 3 seconds to Reset the Extender.

## Getting Started

※ Please DO NOT install the Extender in where it is heavily surrounded by things. And KEEP AWAY from the strong electromagnetic radiation.

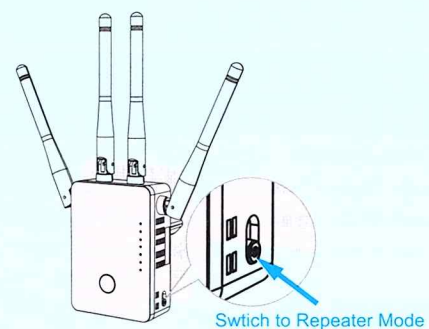
- Drawings with "✓": Recommended - Drawings with "X": Not Recommended



## OPTION ONE Wi-Fi Repeater Mode Using a Web Browser

### 1 Power ON

- Switch the mode selector to **Repeater** position.
- Plug the product into an electrical outlet near your Wi-Fi router.
- Shift the power switch to **ON** and wait until the **POWER LED** is on and solid green.



### 2 Connect to the Device

#### For Windows User



- Disconnect the Ethernet (Wired) connection from your laptop (if any).
- Turn your laptop's Wi-Fi ON if it is OFF.
- Click the Wi-Fi icon on the taskbar and connect to the Extender's network: **WAVLINK-N** or **WAVLINK-AC**.

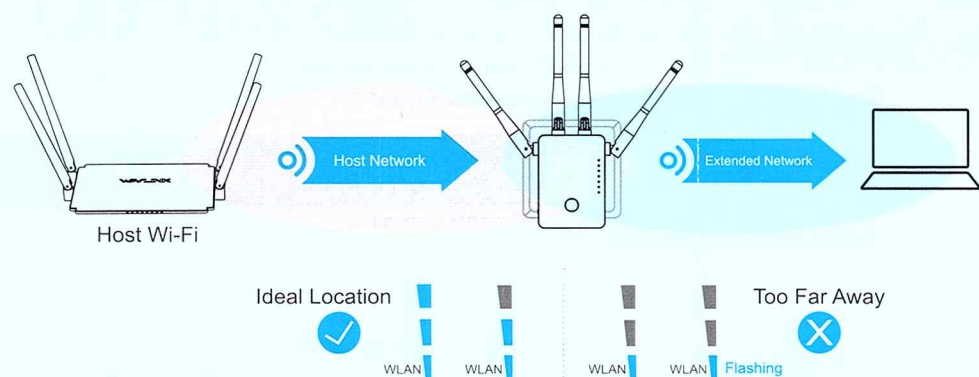
#### For Mac OS X User



- Disconnect the Ethernet (Wired) connection from your laptop (if any).
- Turn your laptop's Wi-Fi ON if it is OFF.
- Click the Wi-Fi icon on the top right corner of the screen, and connect to the Extender's network: **WAVLINK-N** or **WAVLINK-AC**.

### 4 Relocate

- Plug the Extender into an electrical outlet about halfway between your router(Host Wi-Fi) and the Wi-Fi dead zone. The location you choose must be within the range of your existing host Wi-Fi.
- Wait until the WLAN LEDs are ON. If the signal is weak, relocate it closer to your router to achieve a good (or better) signal quality.



- Tips:**
- Use your phone to find the ideal location for the Extender. If your phone's Wi-Fi signal (received from your router) is higher than 3 levels, it is the ideal spot to install the Extender. If not, we recommend you move it closer to your router for better Wi-Fi signal.
  - If you haven't changed the names of extended 2.4G and 5G at Step 3, the default extended 2.4G SSID (Wi-Fi name) will be your router's SSID with "EXT2.4G" within and "EXT5G" is for Extended 5G SSID correspondingly.
  - The extended 2.4G&5G passwords are the same as your Host passwords.

### 3 Configure

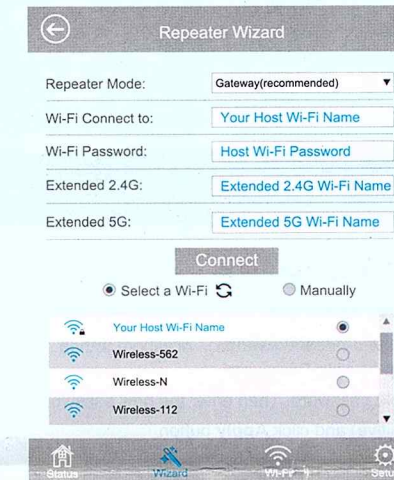
- Launch a web browser and enter [wifi.wavlink.com](http://wifi.wavlink.com) in the address field. Enter **admin** (all lowercase) for the first login.
- The "System Setup" window will pop up for the first login. Configure and change the default login password, then click **Next**.
- Click **Wizard**. Select a Wi-Fi SSID of your router (Host WIFI) and enter the password. Either keep the same SSIDs as your host WIFI or create new names for the extended networks. Verify your wireless settings and click **Connect** button.



If the login window does not pop up, please refer to the FAQ > Q1.



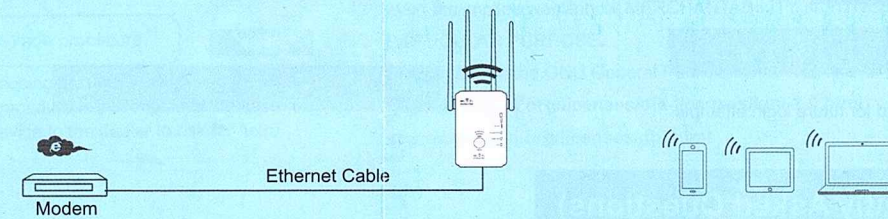
Note: The default password of the Extender is "admin", we strongly recommend you change the default password.



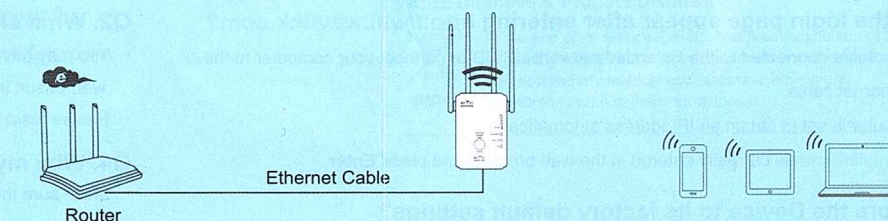
## Router Mode and Access Point Mode (Optional)

The Extender also supports Router and AP modes. And you could switch the mode selector to choose the mode you prefer.

### Router Mode



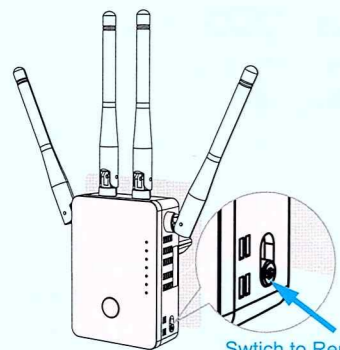
### AP Mode



## OPTION TWO

### Wi-Fi Repeater Mode Using WPS (Wi-Fi Protected Setup)

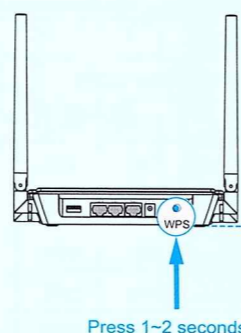
#### 1 Power ON



Switch to Repeater Mode

1. Switch the mode selector to **Repeater** position.
2. Plug the Extender into an electrical outlet near your Wi-Fi router.
3. Shift the power switch to **ON** and wait until the **POWER LED** is on and solid green.

#### 2 Connect

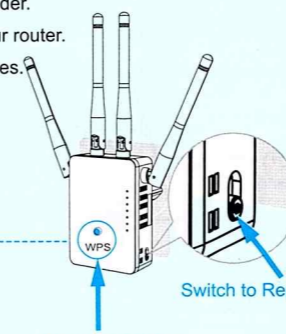


Press 1~2 seconds

1. Press the **WPS** button for **6** seconds on the Extender.
2. Within two minutes, press the **WPS** button on your router.
3. The Extender will reboot, please wait a few minutes.



Press



Press 6 seconds

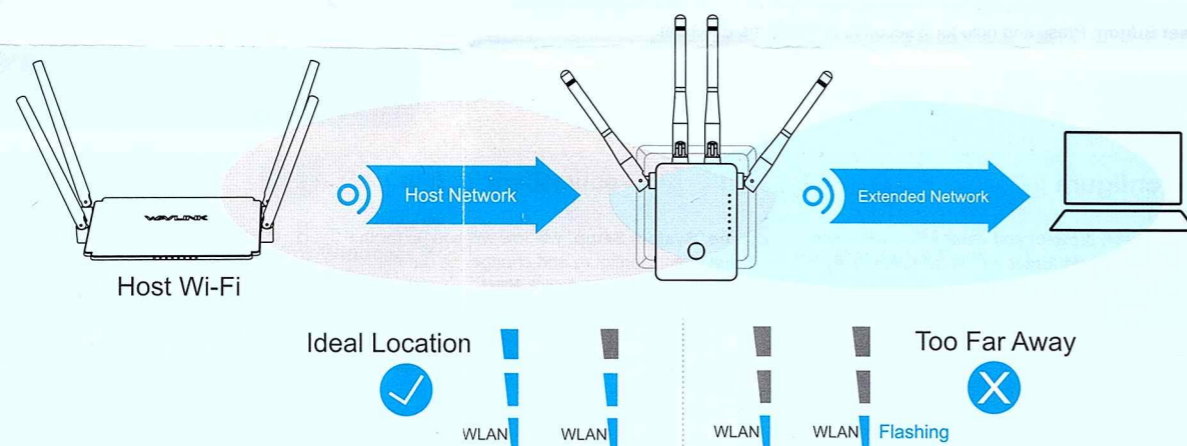
Switch to Repeater Mode

**Tips:** The corresponding WLAN LEDs should turn on and stay solid, indicating successful connections.

#### Note:

- 1). Some ISP gateways disable the WPS function by default. If the WPS connection fails, please use **OPTION ONE**.
- 2). For more information about using WPS on your router, please refer to the router manufacturer's user guide.

#### 3 Relocate



1. Plug the Extender into an electrical outlet about halfway between your router (Host Wi-Fi) and the Wi-Fi dead zone. The location you choose must be within the range of your existing host Wi-Fi.
2. Wait until the WLAN LEDs are ON. If the signal is weak, relocate it closer to the router to achieve a good (or better) signal quality.

#### Tips:

- 1). Use your phone to find the ideal location for the Extender. If your phone's Wi-Fi signal (received from your router) is higher than 3 levels, it is the ideal spot to install the Extender. If not, we recommend you move it closer to your router for better Wi-Fi signal.
- 2). The default extended 2.4G SSID (Wi-Fi name) will be your router's SSID with **"EXT2.4G"** within and **"EXT5G"** is for Extended 5G SSID correspondingly.
- 3). The extended 2.4G&5G passwords are the same as your Host passwords.

## Management via Web Browser

### Change Login Password

1. Visit <http://wifi.wavlink.com>, and log in with the password you set for the Extender before.
2. Click **Setup->Login Password**.
3. Enter the old password. Then enter the new password (case-sensitive) and click **Apply** button.



4. Use the new password for future login attempts.



### Wireless Basic Configuration

1. Click **Wi-Fi -> Wi-Fi Setup**.
2. Customize your wireless network for the Extender.
3. After finishing configuration, click **Apply** button and the Extender will reboot.

### Firmware Upgrade

Firmware upgrade can fix bugs of the Extender. However, We **DO NOT** recommend you upgrade the firmware of the Extender if it works properly.

1. Download the latest firmware file for the Extender from our Website [www.wavlink.com](http://www.wavlink.com).
2. Click **Setup->Upgrade Firmware**.



3. Click **Browse** (or **Choose File**) to locate the downloaded new firmware file.
4. Click **Apply** button, and wait a few minutes for the firmware upgrade to complete.

**Warranty voids if you interrupted the upgrade procedure.**

**NOTE:** Never interrupt the upgrade procedure by closing the web browser or physically disconnect your computer from the device. If the procedure is interrupted, the firmware upgrade will fail, and you may have to return the device to the dealer to ask for help.

## GNU General Public License Notice

This product includes software codes developed by third parties. These software codes are subject to either the GNU General Public License (GPL), Version 2, June 1991 or the GNU Lesser General Public License (LGPL), Version 2.1, February 1999. You can copy, distribute, and/or modify in accordance with the terms and conditions of GPL or LGPL.

The source code should be complete, if you want us to provide any additional source code files under GNU General Public License (GPL), please contact us in these matters. We are committed to meeting the requirements of the GNU General Public License (GPL). You are welcome to contact our local office to get the corresponding software and licenses. Please inform us your contact details (full address) and the product code. We will send you a software package with the software and license for free.

The respective programs are distributed **WITHOUT ANY WARRANTY**; without even the implied warranty of **MERCHANTABILITY** or **FITNESS FOR A PARTICULAR PURPOSE**.

Please refer to the GNU General Public License Web site for further information.

<http://www.gnu.org/licenses/old-licenses/lgpl-2.0.html>

<http://www.gnu.org/licenses/gpl.html>

## FAQ (Frequently Asked Questions)

### Q1. Why doesn't the login page appear after entering <http://wifi.wavlink.com>?

- Make sure your computer is connected to the Extended network's SSID or connect your computer to the Extender using an Ethernet cable.
- Make sure your computer is set to obtain an IP address automatically.
- Verify that <http://wifi.wavlink.com> is correctly entered in the web browser and press **Enter**.

### Q3. How do I restore the Device to its factory default settings?

- While the Extender is powered on, press and hold the Reset button until all the LEDs turn on momentarily.

### Q2. What should I do if the LED does not change to solid after completing OPTION ONE?

- You may have entered the incorrect Wi-Fi password of your host Wi-Fi during the configuration. Please log into the Extender's web-based interface to check the password and try again.
- Please reset the Extender and go through the configuration again.

### Q4. Why my Wi-Fi Extender doesn't work in AP mode?

- Make sure the WAN/LAN port of the Extender is connected to the LAN port of your router and then try again.

For more details, please refer to [www.wavlink.com](http://www.wavlink.com).

### WEEE Directive & Product Disposal



At the end of its serviceable life, this product should not be treated as household or general waste. It should be handed over to the applicable collection point for the recycling of electrical and electronic equipment, or returned to the supplier for disposal.